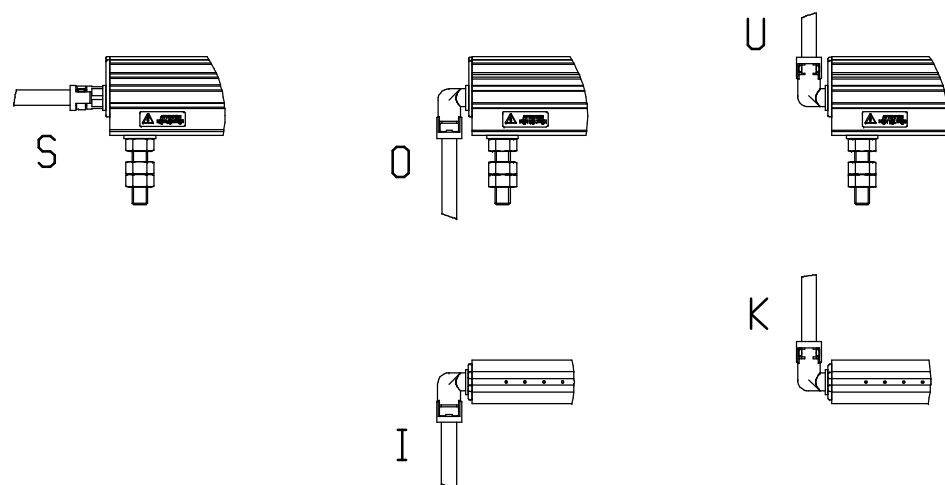
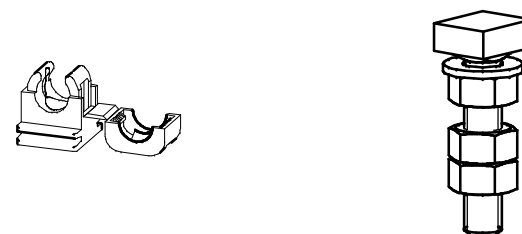


NOTE: The maximum effective length is 1000 mm

Cable exit options



Mounting materials included



Cable clamps
Amount of clamps =
(cable length(m)x4)-1

Mounting bolts
Amount of bolts
see table

Table mounting bolts	
total length	QTY
0 - 0,5m	2
≥0,5 - 1,0m	3

Supply voltage: max. 20 kV DC