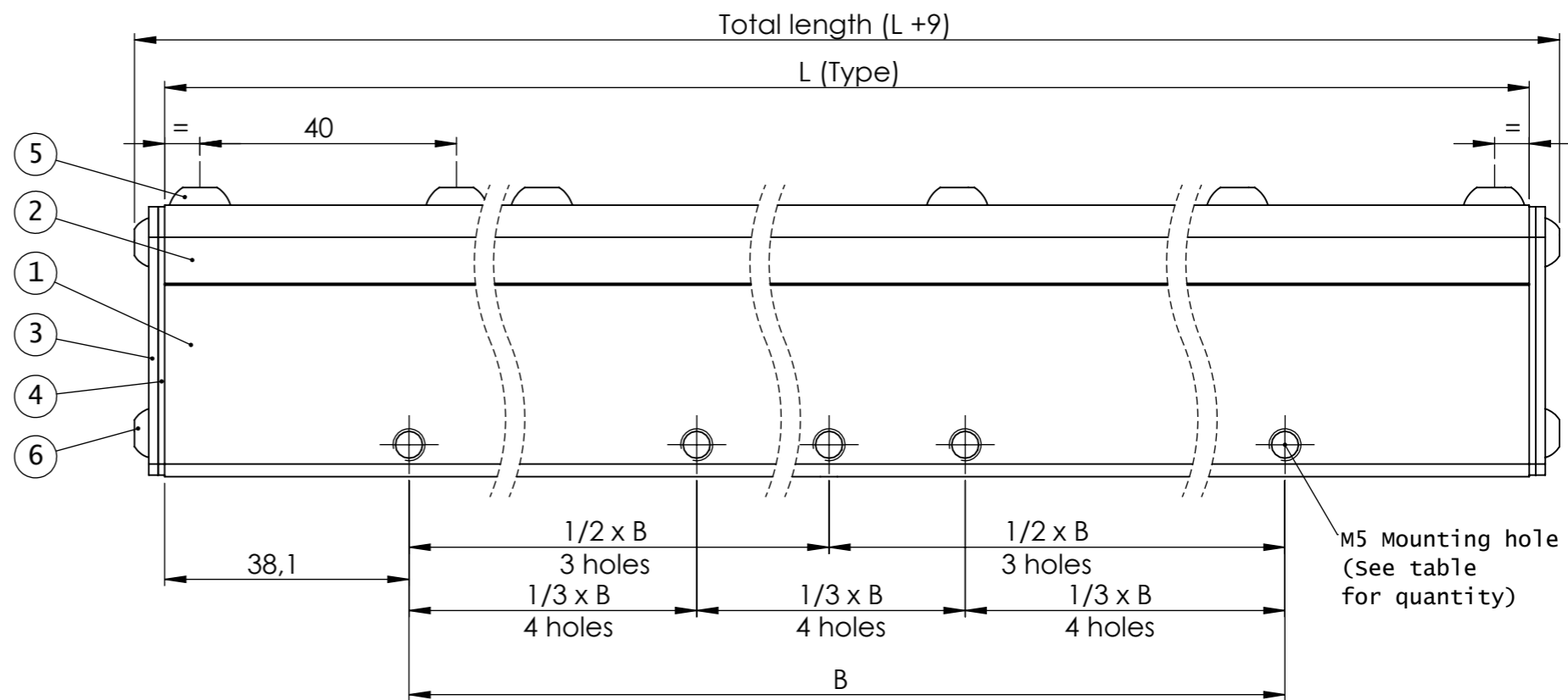
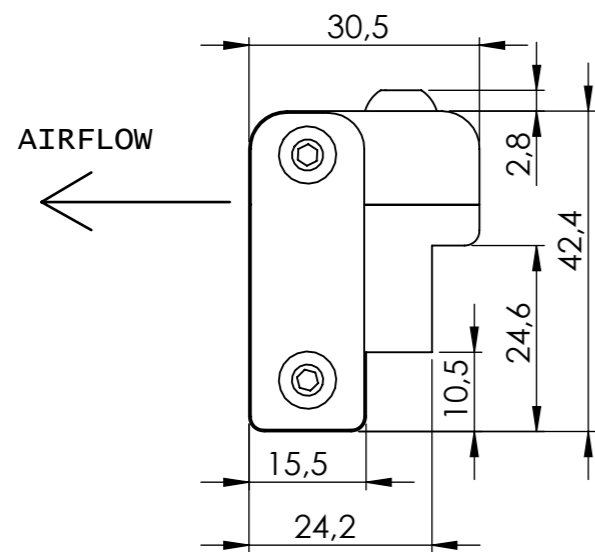
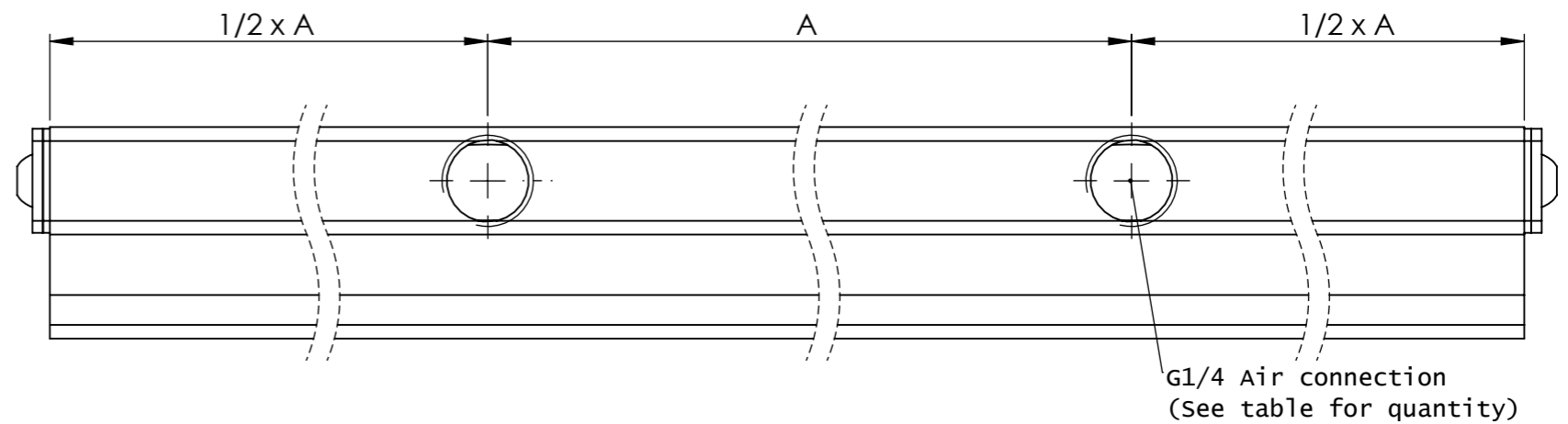


DIMENSIONS					
L (Type) Effective length		Air connections		Mounting holes	
		Qty.	A	Qty.	B
(30")	771,0 mm	3	257,0	4	694,6
(36")	923,4 mm	3	307,8	4	847,0
(42")	1075,8 mm	4	269,0	3	999,4
(48")	1228,2 mm	4	307,1	3	1151,8
(54")	1389,6 mm	5	277,9	4	1313,0
(60")	1542,0 mm	5	308,4	4	1465,4
(66")	1694,4 mm	6	282,4	4	1617,8
(72")	1846,8 mm	6	307,8	4	1770,2
	2000 mm	7	285,7	4	1923,8

NOTE:  
\* Pos 5: Quantity (n) of screws depends on length "L"

Pos.	QTY.	Description	Drawing
1	L mm.	Body Air Knife	Sheet 2
2	L mm	Cap Air Knife	Sheet 3
3	2	End cap Air Knife	Sheet 3
4	2	Gasket Air Knife	Sheet 3
5	n*	Hexagon socket button head cap screw M5x20 ISO7380	-
6	4	Hexagon socket button head cap screw M4x10 ISO7380	-



**EX CERTIFIED PRODUCT**  
No modifications permitted without reference to the "authorised person" **R**

Roughness acc. to ISO 1302	Dimensions tolerated acc. to ISO 129	Tolerances of form and position acc. to ISO 1011	Dimensions in mm	-	-	-	-	-	-					
							6399	AB	07-01-2025					
<b>SIMCO ION</b> An ITW Company WWW.SIMCO-ION.NL TEL: +31 (0)573 288333			(XX) Control dim. Copyright © SIMCO (Nederland) BV		Rev. Description					ECN	Chk.	Date		
					Range [mm]	0,5-3	>3-6	>6-30	>30-120	>120-315	>315-1000	>1000-2000	>2000-4000	
Name: Air Knife construction and parts					Middle		±0,1	±0,1	±0,2	±0,3	±0,5	±0,8	±1,2	±2
CAD GENERATED NOT AUTOMATICALLY UPDATED			Date: 9-12-2024	M: 1:1	A3	Check: AB		Dwg. no.: 63994000/-		1/3				